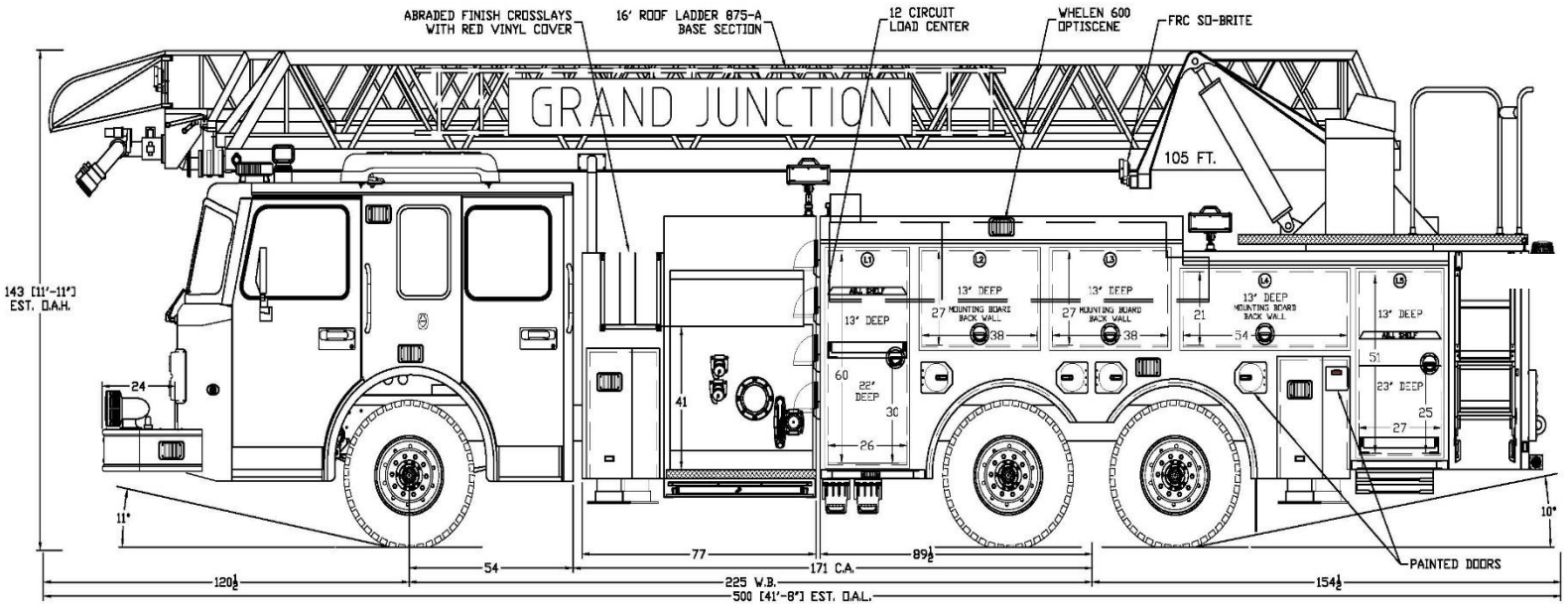
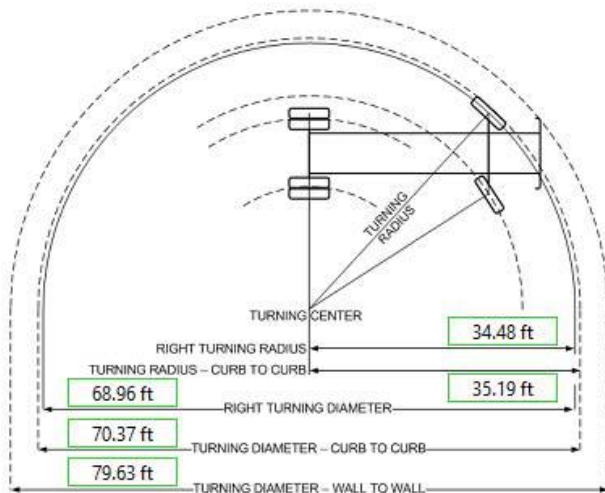
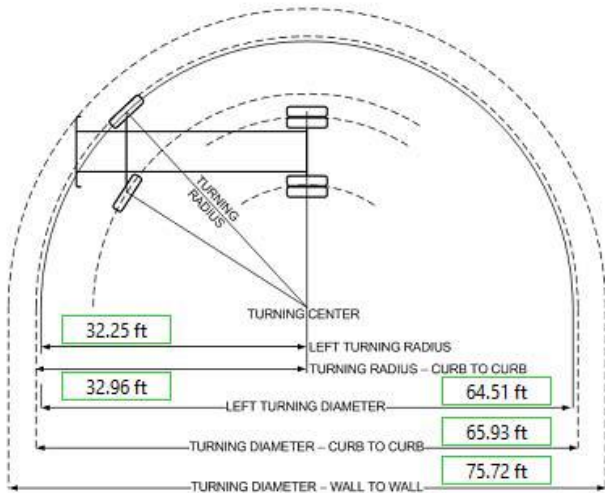


# Fire Apparatus Dimensions-Truck 1



Weight: 75,000 gwv	Smeal Apparatus/Chassis Model 0100-012 Gladiator
Length: 42 feet	Left hand outside tire turn angle 33.50 deg.
Width: 9 feet	Right hand outside tire turn angle 31.00 deg.
Height: 12 feet	Left hand curb to curb turning radius 32.96 ft.
Outrigger Max: 19 feet	Right hand curb to curb turning radius 35.19 ft.
Angle of Approach: 11 degrees	Left hand wall to wall turning radius 37.86
Angle of Departure: 10 degrees	Right hand wall to wall turning radius 39.81 ft.



The turn radius is an estimate given for reference only. Real world results depend on tire type, speed, weight distribution, alignment, mfg. tolerance stackups, turn stop settings, etc. Spartan makes no claim as to the accuracy of this tool.